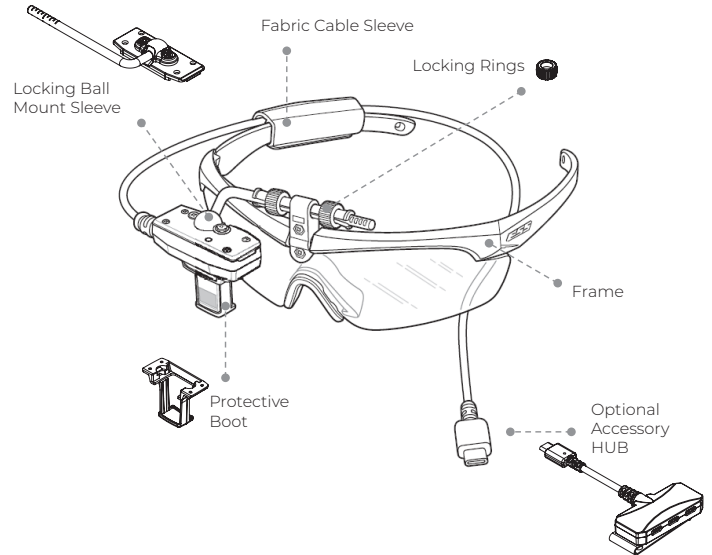
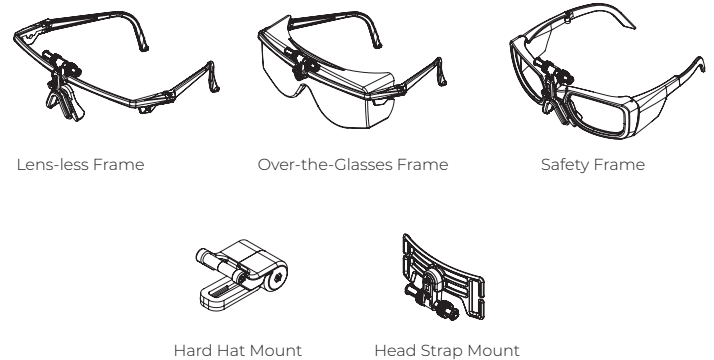


**ST1 ACCESSORIES**

**ST1**  
**Head-Up Display**  
**Specifications**



**ADDITIONAL FRAME & MOUNT OPTIONS**



**PHYSICAL CHARACTERISTICS**

<b>Weight</b>	<1.06 oz. (without cable)
<b>Display</b>	Full color OLED 640x400 pixels
<b>Field of View</b>	20.3° diagonal
<b>Eye Box</b>	7.5 x 9 mm
<b>Eye Relief</b>	18 mm
<b>Camera</b>	5 MP, Fixed focus (STI-C Only)
<b>Head Tracker</b>	39 axis integrated sensor
<b>Frame</b>	ESS Crosshair ONE frame (ANSI zs87.2+)
<b>Connectivity</b>	USB 2.0
<b>Host Device Connectivity</b>	Android 5.0 + and Windows 10

**USER ENVIRONMENT**

<b>Operating Temp</b>	-40°F to 158°F / -20°C to 170°C
<b>Drop Spec</b>	1.8 m / 6' (to concrete)
<b>Sealing</b>	IP67 (waterproof and dustproof)

**LEXICON**  
 TECH SOLUTIONS

(888) 981-6714  
 700 Sigman Rd, Suite 110  
 Conyers, GA 30013

[lexicontech.com/le45](http://lexicontech.com/le45)

©2022 Lexicon Technologies, Inc. All rights reserved.

